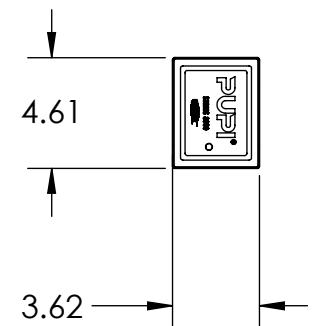
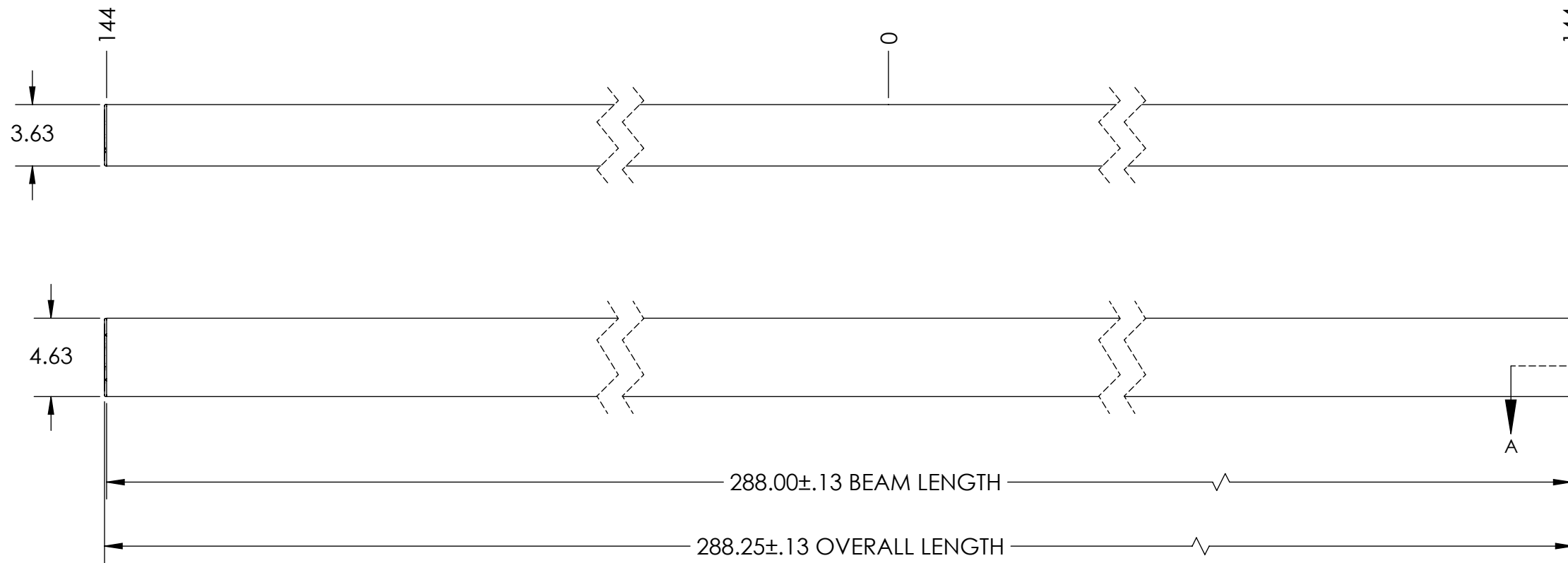
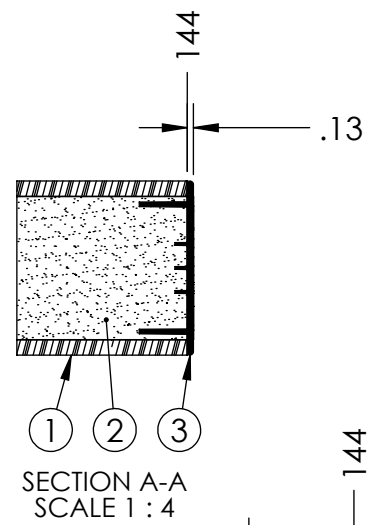


ITEM NO.	PART NUMBER	DESCRIPTION	DESCRIPTION 2	QTY
1	FB-288-3000-2	BEAM, PULTRUDED STOCK	SERIES 3000 x 288 in, GRAY	1
2	FOAM	-	-	1
3	EC30-0002-2	END CAP	SERIES 3000, GRAY	2



REVISIONS			
REV.	DESCRIPTION	DATE	INITIALS
0.1	UPDATE DRAWING FORMAT	2016-10-20	RAF



---UNLESS OTHERWISE SPECIFIED--- DIMENSIONS ARE IN INCHES INTERPRET DIM AND TOL PER ASME Y14.5-2009 ANGULAR: MACH ± 2° BEND ± 2° ONE PLACE DECIMAL ± 0.1 TWO PLACE DECIMAL ± 0.02	STATE: RELEASED	2016-12-06
	DRAWN: RAF	2015-03-05
	CHECKED: TRB	2016-12-06
	APPROVED: TRB	2016-12-06
PROPRIETARY AND CONFIDENTIAL THE INFORMATION CONTAINED IN THIS DRAWING IS THE SOLE PROPERTY OF GEOTEK. ANY REPRODUCTION IN PART OR AS A WHOLE WITHOUT THE WRITTEN PERMISSION OF GEOTEK IS PROHIBITED.	THIRD ANGLE PROJECTION	
CUSTOMER SIGNATURE:	DATE:	

	1421 SECOND AVE NW STEWARTVILLE, MN 55976 (800) 533-1680 www.geotekinc.com	
	DESCRIPTION: BEAM ASSEMBLY, SERIES 3000 288 in, CUSTOM SPECIFICATION	
SIZE: DWG. NO. B BX30022882142	BEAM COLOR: GRAY	REV: 0.1
SCALE: 1:8 WEIGHT: 103 LBS	SHEET 1 OF 1	